

CUSTOMER : _____

DATE: 2025/5/5

SPECIFICATION

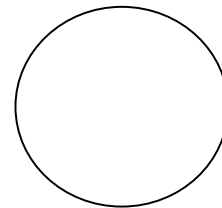
<p>Model: QIW-45W4</p> <p>Color: White <input checked="" type="checkbox"/> Black <input type="checkbox"/></p> <p>Product: FAST CHARGER</p> <p>Spec No: W5-004</p> <p>Version: A1</p>	<p>Type: Wall Mount (US/Japan/Canada)</p> <p>AC Plug: Folding Plug</p> <p>Input: 100-240V~50/60Hz 1.5A Max</p> <p>Output: PD+PPS (45W Max)</p> <p>USB Ports: USB A+USB-C</p>
---	---

Receiver's stamp or signature

PLEASE APPROVE & RETURN BEFORE: 2025/5/20
OR WE WOULD REGARD IT BEEN CONFIRMED.

RESPONSIBLE	APPROVED	ISSUED
Thomas	Aiwei	Anni

ISSUES STAMP



Revised History

No.	Revised Date	Description	Approved	Issued

QIW Industrial Co.,Ltd.

CHINA:

Http://www.qiw.com

E-Mail: qiw@qiw.com

TEL : +86-755-8980 9888

FAX : +86-755-8983 7166

HONG KONG:

Http://www.qiw.com.cn

E-Mail: qiw@qiw.com.cn

TEL : +852-6952 9522

FAX : +852-3171 2350



PRODUCT	FAST CHARGER	SHEET NO.	1 OF 4
		VERSION:	A1
MODEL NO.	QIW-45W4	SPEC NO.	W5-004

1.INPUT REQUIREMENT

2.OUTPUT SPECIFICATION

3.MECHANICAL

4.RELIABILITY

5.ENVIRONMENT

6.OUTLOOKING

7.SAFETY

8.QC CHECK

9.DIMENSION

10.LABEL

11.PACKING

QIW® 奇旺	PRODUCT	FAST CHARGER	SHEET NO.	2 OF 4
	MODEL NO.	QIW-45W4	VERSION:	A1
			SPEC NO.	W5-004

1.INPUT REQUIREMENT

ITEM	SPECIFICATION	MIN	TYP.	MAX
NORMAL AC INPUT VOLTAGE	SINGLE PHASE	100Vac	110Vac/220Vac	240Vac
AC INPUT VOLTAGE RANGE	SINGLE PHASE	90Vac	110Vac/220Vac	264Vac
AC INPUT FREQUENCY	SINGLE PHASE	47Hz	50/60Hz	63Hz
AC INPUT CURRENT	TYPICAL INPUT VOLTAGE& OUTPUT AT FULL LOAD.			1.5A
NO LOAD POWER	AT 115VAC/230VAC			0.21W
EFFICIENCY	TYPICAL INPUT VOLTAGE& OUTPUT AT FULL LOAD	86%		

2.OUTPUT SPECIFICATION

VOLTAGE OUTPUT CHARACTERISTICS OF EACH PORT

USB PORTS	OUTPUT	LOAD CONDITION		Load Regulation	Line Regulation	OCP
		Minimum Load	Nominal Load			
USB-C	5V	0A	3.0A	±5%	±5%	105%-135%
	9V	0A	3.0A	±5%	±5%	105%-135%
	12V	0A	3.0A	±5%	±5%	105%-135%
	15V	0A	3.0A	±5%	±5%	105%-135%
	20V	0A	2.25A	±5%	±5%	105%-135%
USB-A	5V	0A	3.0A	±5%	±5%	105%-135%
	9V	0A	3.0A	±5%	±5%	105%-135%
	12V	0A	2.5A	±5%	±5%	105%-135%
	15V	0A	2.0A	±5%	±5%	105%-135%
	20V	0A	1.5A	±5%	±5%	105%-135%

Note: If the output current exceeds 3A, the E-MARK chip needs to be included in the output Type-C line, otherwise only 3A can be output

COMBINED OUTPUT

USB-C+USB-A

USB-C	USB-A	TOTAL (Max)
45W	--	45W
--	30W	30W
25W	18W	43W

PPS: 5.0-11.0V==4.05A or 5.0-21.0V==2.25A(47.25W Max)

QIW®奇旺	PRODUCT	FAST CHARGER	SHEET NO.	3 OF 4
	MODEL NO.	QIW-45W4	VERSION:	A1
			SPEC NO.	W5-004

3.MECHANICAL

ITEM	SPECIFICATION OR TEST CONDITION	ACCEPTANCE CRITERIA
BENDING TEST	NORMAL TEMPERATURE THE CORD SHALL WITHSTAND WEIGHT OF 200g, SWINGING FROM LEFT TO RIGHT AT AN ANGLE OF 60 DEG. 1000CYCLE TIMES MIN. S/R SHALL WITHSTAND WEIGHT OF 1N. SWINGING FROM LEFT TO RIGHT AT AN ANGLE OF 60DEG. 1000CYCLE TIMES MIN. BENDING SPEED 40CYCLE/MINUTE	NO SHORT CIRCUIT NO BREAKAGE OF THE CORD
VIBRATION	FREQUENCY RANGE:10~55Hz AMPLITUDE:1.5mm ACCELERATION: 1G SWEEP 1 MINUTE FOR X,Y,Z,AXIS EACH	THERE SHALL BENO ABNORMALITY ON THE APPEARNCE STRUCTURE AND OPERATING

4.RELIABILITY

ITEM	TEST CONDITION	ACCEPTANCE CRITERIA
TEMPERATURE UP WITH	TEST AT SURFACE OF THE CASE WITH TYPICAL	TEMPERATURE UP UNDER
TYPICAL LOAD	AC INPUT AND TYPICAL LOAD IN OUTPUT	35 DEGREES
	50/60Hz	
HI-POT TEST	INPUT TO OUTPUT GRADUALLY RAISED FROM 0 TO THE 3000Vac AND HELD AT THAT VALUE FOR 3S,5mA	NO DAMAGE
MTBF	TYPICAL INPUT&FULL LOAD , 25°C	30000 HOURS
LIFE	TYPICAL INPUT&FULL LOAD, 25°C	1YEARS ABOVE
BURN-IN	AT 25°C(±10°C),NORMAL INPUT VOLTAGE	2 HOURS

5.ENVIRONMENT

ITEM	SPECIFICATION OR TEST CONDITION	min.	typ.	max.
OPERATING TEMPERATURE		0°C		25°C
STORAGE TEMPERATURE		-20°C		70°C
OPERATING HUMIDITY	NON-CONDENSING	5%RH		90%RH
STORAGE HUMIDITY	NON-CONDENSING	5%RH		90%RH

QIW®奇旺	PRODUCT	FAST CHARGER	SHEET NO.	4 OF 4
			VERSION:	A1
	MODEL NO.	QIW-45W4	SPEC NO.	W5-004

6.OUTLOOKING

DIMENSION :53.4(L)X54.8(W)X29.2(H)mm
 WEIGHT :ABOUT 115g
 AC INPUT TYPE :US Folding Plug
 DC OUTPUT TYPE :USB-A+USB-C

DC OUTPUT CABLE :N/A
 INDICATION :LABEL
 CASE MATERIAL :94V-0 ABS+PC
 PCB MATERIAL :94V-0

7.SAFETY

COMPLY SAFETY STANDARDS	STANDARD	FILE NO.
ETL	UL 62368-1:2019 Ed.3+R:22Oct2021	5031785
cETL	CSA C22.2#62368-1:2019 Ed.3+U1	5031785
PSE	J62368-1(2023) J55032(H29)	JD 50675243

EMI
CE FCC

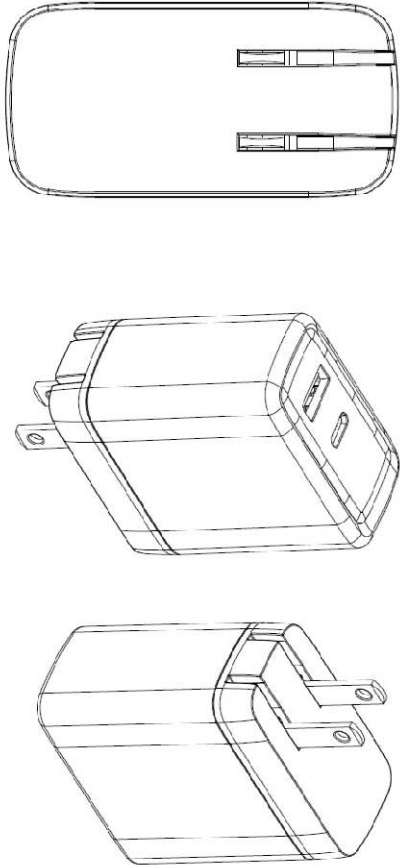
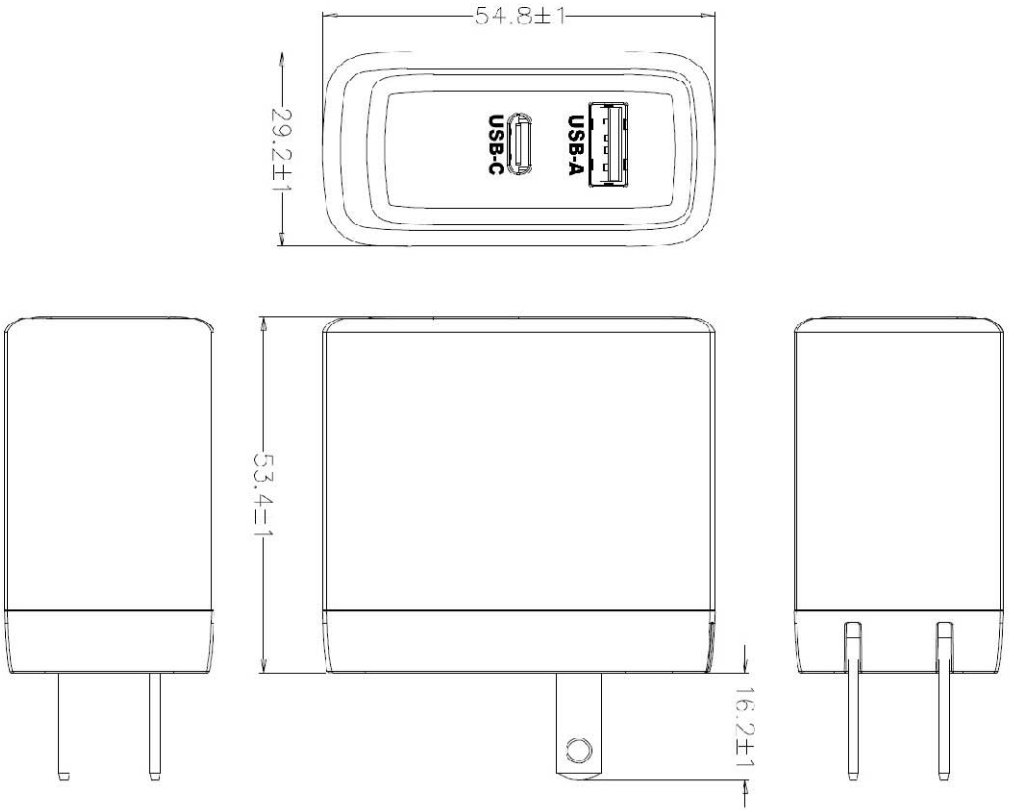
8.QC CHECK

ALL OF THE QUANTITY SHALL BE CHECKED BEFORE SHIPMENT,CHECK ITEM AS BELOW:

- (1)USB PORT CHECK
- (2)OCP FUNCTION CHECK
- (3)DC OUTPUT VOLTAGE CHECK
- (4)HI-POT&INSULATION CHECK
- (5)OUTLOOKING CHECK

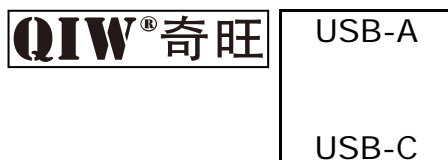
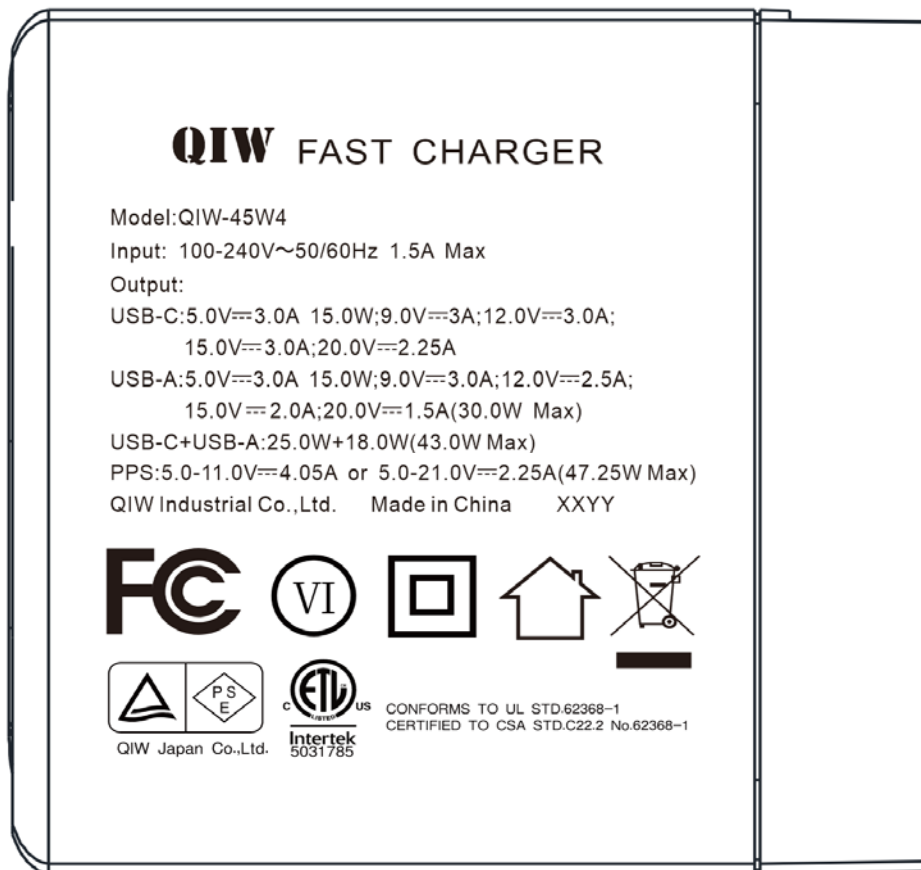
9.DIMENSION

Model: QIW-45W4



TOLERANCE		FINISH		XXXXXX	
LE4	±0.05 ±0.08 ±0.1 ±0.2	XXXXXX			
44S20	±0.05 ±0.1 ±0.2 ±0.3				
20S4S0	±0.1 ±0.15 ±0.3 ±0.4				
50S4S20	±0.15 ±0.25 ±0.4 ±0.6				
200P4	±0.2 ±0.4 ±0.5 ±0.8				
DEC.	CHIL.	APPD.	SCALE	UNIT	REF.
			mm	mm	XXXXX
			ENG NO.	XXXXX	
			NAME: DIMENSION		
QIW Industrial Co., Ltd. 深圳市奇旺实业有限公司					

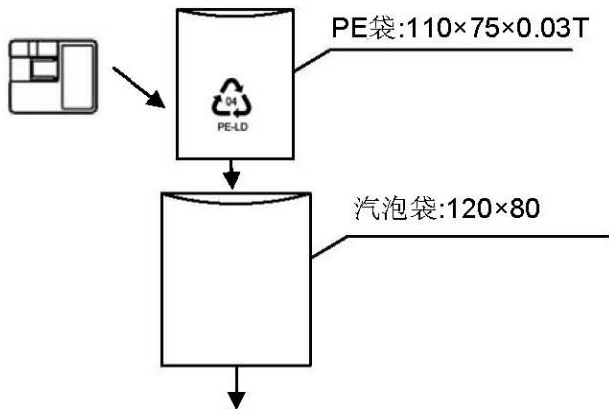
10.LABEL (LASER)



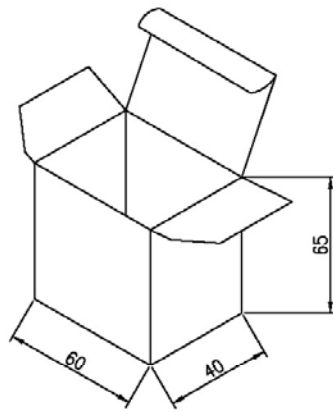
DATE CODE: (WWYY WW=WEEK,YY=YEAR)

TOLERANCE					FINISH	NAME:		LABEL	
L≤4	0.05	0.08	0.1	0.2					
4<L≤20	0.08	0.1	0.2	0.3	MATERIAL		QTY.	REV	A1
20<L≤50	0.1	0.15	0.3	0.4					
50<L≤200	0.15	0.25	0.4	0.6	UNIT		mm	RART NO	W5-004
200<L	0.2	0.4	0.5	0.8					
DEG.	CHKD.	APPD.	SCALE		REF.	REM.			
Anni	Aiwei	Thomas							

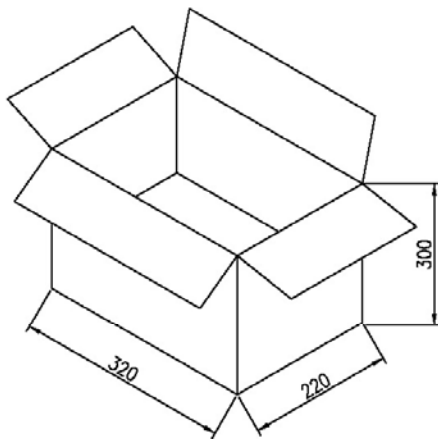
11.PACKING



注:PE袋和汽泡袋不要用胶纸固定



小白盒 500g
 外徑寸法 長X寬X高
 60x40x65
 TOLERANCE:±1
 一个小白盒内放一个产品



外箱:(K=K)
 成品100PCS 放入
 外徑寸法 長X寬X高
 320X220X300
 TOLERANCE:±3

TOLERANCE					FINISH	MATERIAL	REV.	A1	NAME	PACKING
L ≤ 4	4 < L ≤ 20	20 < L ≤ 50	50 < L ≤ 200	200 < L						
±0.05	±0.08	±0.1	±0.2	±0.3						
±0.08	±0.1	±0.2	±0.3	±0.4						
±0.1	±0.15	±0.3	±0.4	±0.6						
±0.15	±0.25	±0.4	±0.6	±0.8						
±0.2	±0.4	±0.5	±0.8							
DEG.	CHKD.	APPD.	SCALE	UNIT	mm					
Anni				REF.						
				DWG NO.					PART NO.	

This authorizes the application of the Certification Mark(s) shown below to the models described in the Product(s) Covered section when made in accordance with the conditions set forth in the Certification Agreement and Listing Report. This authorization also applies to multiple listee model(s) identified on the correlation page of the Listing Report.

This document is the property of Intertek Testing Services and is not transferable. The certification mark(s) may be applied only at the location of the Party Authorized To Apply Mark.

Applicant: QIW Industrial Co., Ltd.

Manufacturer: QIW Industrial Co., Ltd.

Address: B1001, No.15-3, Tantou 1st Village,
Songgang Town, Baoan District,
SHENZHEN CITY

Address: B1001, No.15-3, Tantou 1st Village,
Songgang Town, Baoan District,
SHENZHEN CITY

Country: China

Country: China

Party Authorized To Apply Mark: Same as Manufacturer
Report Issuing Office: Intertek Testing Services Shenzhen Limited Guangzhou Branch



Control Number: 5031785

Authorized by: _____

for L. Matthew Snyder, Certification Manager



This document supersedes all previous Authorizations to Mark for the noted Report Number.

This Authorization to Mark is for the exclusive use of Intertek's Client and is provided pursuant to the Certification agreement between Intertek and its Client. Intertek's responsibility and liability are limited to the terms and conditions of the agreement. Intertek assumes no liability to any party, other than to the Client in accordance with the agreement, for any loss, expense or damage occasioned by the use of this Authorization to Mark. Only the Client is authorized to permit copying or distribution of this Authorization to Mark and then only in its entirety. Use of Intertek's Certification mark is restricted to the conditions laid out in the agreement and in this Authorization to Mark. Any further use of the Intertek name for the sale or advertisement of the tested material, product or service must first be approved in writing by Intertek. Initial Factory Assessments and Follow up Services are for the purpose of assuring appropriate usage of the Certification mark in accordance with the agreement, they are not for the purposes of production quality control and do not relieve the Client of their obligations in this respect.

Intertek Testing Services NA Inc.
545 East Algonquin Road, Arlington Heights, IL 60005
Telephone 800-345-3851 or 847-439-5667 Fax 312-283-1672

Standard(s):	Audio/Video, Information and Communication Technology Equipment - Part 1: Safety Requirements [UL 62368-1:2019 Ed.3+R:22Oct2021]
Product:	FAST CHARGER
Brand Name:	QIW
Models:	QIW- followed by 45 or 65; followed by W, D or U; followed by 1, 2, 3 or 4.

Attestation Of Conformity

No.: LP24060229C01-04

Applicant : QIW Industrial Co.,Ltd.
Address : B1001, No.15-3, Tantou 1st Village, Songgang Town, Baoan District, Shenzhen City, P.R.China
Product : FAST CHARGER
Model No. : QIW-45yz, QIW-65yz
("y", "z" are variables, see page 4 of the test report for details.)
Trade Mark : **QIW**
Test Standard : 47 CFR FCC Part 15, Subpart B, Class B
Conducted Emission limits describes at FCC 47 CFR Part 15 Subpart B section 15.107 (a)
Radiated Emission limits describes at FCC 47 CFR Part 15 Subpart B section 15.109 (a)

In a test laboratory according to FCC rules section 2.948 for measuring devices under Parts 15. Enclosed please find the test report: LP24060229C01-04

This Attestation of conformity is based on an evaluation of a sample of the above mentioned product. The Attestation and test report can be used for demonstration of technical compliance with FCC Equipment Authorization Procedure-Supplier's Declaration of Conformity (SDoC, 47 CFR PART 2 section §2.906). The certificate does not imply assessment of the production and does not permit the use of Lab's logo.




Manager: Frank Shen
Date: 2025-2-24

Dongguan Lepont Testing Service Co., Ltd.

Tel.:86-769-83086888 Fax.:86-769-83096886

Room 102, Building 11, No.7, Houjie Science And Technology Avenue, Houjie, Dongguan, Guangdong, China

The statement is based on a single evaluation of one sample of above mentioned products. It does not imply an assessment of the whole production and does not permit the use of the test lab's logo.